



**John
BOOS**
Since 1887

ITEM #: _____ QTY: _____
 MODEL #: _____
 PROJECT NAME: _____

121917

3601 S. Banker St. Effingham, IL 62401 • P.O. BOX 609 • Ph: (888) 431-2667 • Fax: (800) 433-2667

"DNB" MAPLE TOP WORK TABLES



**1-3/4" THICK HARD ROCK MAPLE TOP W/ 4" RISER ON BACK AND SIDES.
 GALVANIZED BASE AND ADJUSTABLE BRACING**

FEATURES:

- 1-3/4" THICK HARD MAPLE TOP, STYLE "SB" WITH 4" COVED RISER ON BACK AND SIDES.
- MAPLE TOP IS FINISHED WITH PENETRATING OIL WITH OPTIONAL NATURAL CLEAR VARNIQUE FINISH
- GALVANIZED STEEL BASE AND BRACING
- BRACING ADJUSTABLE TO DESIRED HEIGHT
- ADJUSTABLE BULLET FEET
- SHIPPED KNOCKED-DOWN, EASY-TO-ASSEMBLE
- NSF CERTIFIED



MATERIAL:

- TOP: NORTHERN HARD ROCK MAPLE
- LEGS: 16 GAUGE GALVANIZED STEEL
- BRACING: 1-14" ROUND O.D. 18 GAUGE TYPE 300 TUBULAR GALVANIZED STEEL
- GUSSETS: GALVANIZED STEEL
- FEET: 1" ADJUSTABLE GALVANIZED STEEL

OPTIONAL ACCESSORIES

DESCRIPTION	MODEL	QTY
DRAWER		
DRAWER LOCK		
CASTERS		
OVERSHELVES		
POT RACK		

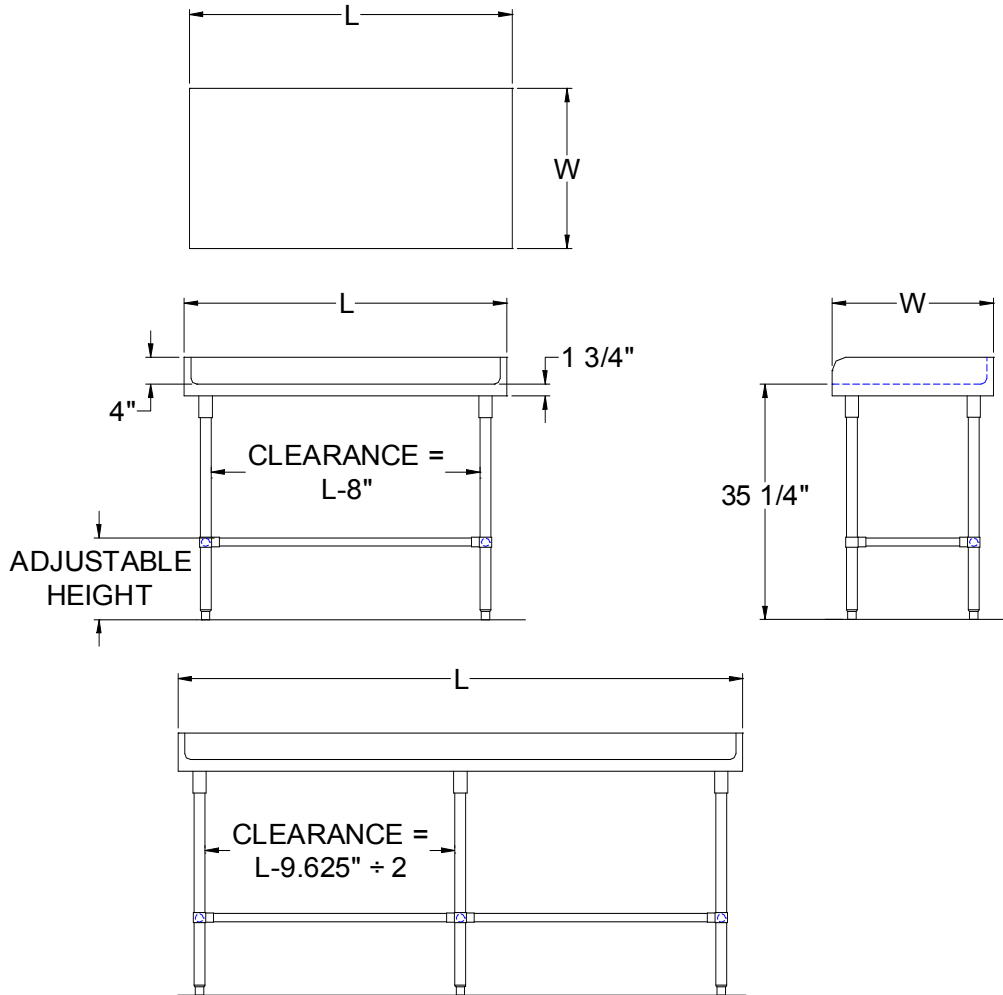


COVED RISER (FRONT VIEW)

MAPLE TOP WORK TABLES

24" WIDE	QTY	30" WIDE	QTY	36" WIDE	QTY
DNB01		DNB07		DNB13	
DNB02		DNB08		DNB14	
DNB03		DNB09		DNB15	
DNB04		DNB10		DNB16	
DNB05		DNB11		DNB17	
DNB05A		DNB11A		DNB17A	
DNB06		DNB12		DNB18	

DETAILED SPECIFICATIONS



- UNITS 7 FT. AND LARGER ARE FURNISHED WITH SIX LEGS.
- FINISHED SIZE OF UNDERSHELF.
 $\text{SHELF LENGTH} = \text{LENGTH MINUS } 4.875"$
 $\text{SHELF WIDTH} = \text{WIDTH MINUS } 4.25"$

MAPLE TOP WORK TABLES

LENGTH	24" WIDE	WT. (LBS)	30" WIDE	WT. (LBS)	36" WIDE	WT. (LBS)
48"	DNB01	104	DNB07	123	DNB13	142
60"	DNB02	123	DNB08	147	DNB14	169
72"	DNB03	142	DNB09	170	DNB15	186
84"	DNB04	169	DNB10	200	DNB16	230
96"	DNB05	188	DNB11	223	DNB17	257
108"	DNB05A	207	DNB11A	246	DNB17A	284
120"	DNB06	227	DNB12	270	DNB18	311

SOME UNITS SHIP UNASSEMBLED FOR REDUCED SHIPPING COST. ALL DIMENSIONS ARE TYPICAL. TOLERANCE +/- .500"
 John Boos & Co. is constantly engaged in a program of improving products and therefore reserves the right to change specifications without prior notice.

